

# RNAV (GPS) RWY 26

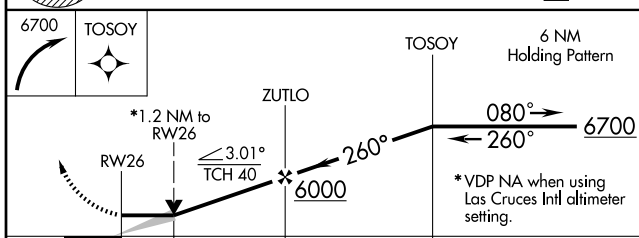
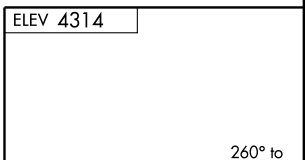
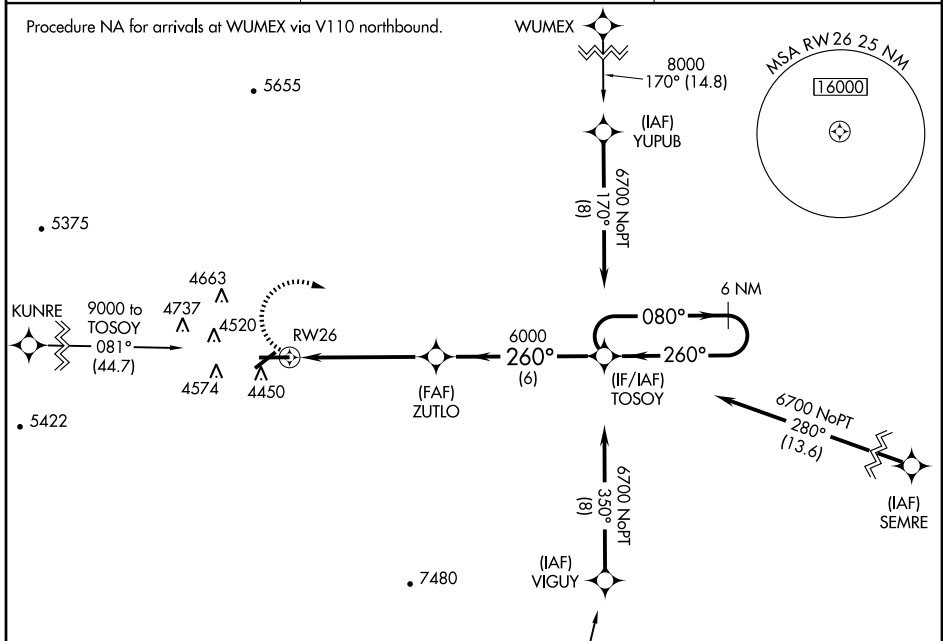
DEMING MUNI (DMN)

APP CRS <b>260°</b>	Rwy Idg <b>6627</b>
	TDZE <b>4303</b>
	Apt Elev <b>4314</b>

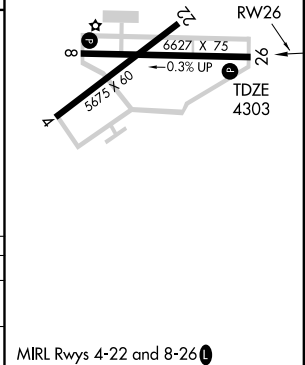
**⚠** If local altimeter setting not received, use Las Cruces Intl altimeter setting and increase all MDAs 120 feet.  
**⚠** DME/DME RNP-0.3 NA.

MISSED APPROACH: Climbing right turn to 6700 direct TOSOY and hold.

ASOS <b>118.525</b>	ALBUQUERQUE CENTER <b>128.2 285.5</b>	UNICOM <b>122.8 (CTAF) ☺</b>
------------------------	--	---------------------------------



CATEGORY	A	B	C	D
LNVA MDA	4720-1	417 (500-1)	4720-1¼	417 (500-1¼)
CIRCLING	4820-1 506 (600-1)	4940-1 626 (700-1)	4940-1¾ 626 (700-1¾)	4940-2 626 (700-2)



SW-1, 11 MAR 2010 to 08 APR 2010

SW-1, 11 MAR 2010 to 08 APR 2010