

# RNAV (GPS) RWY 33

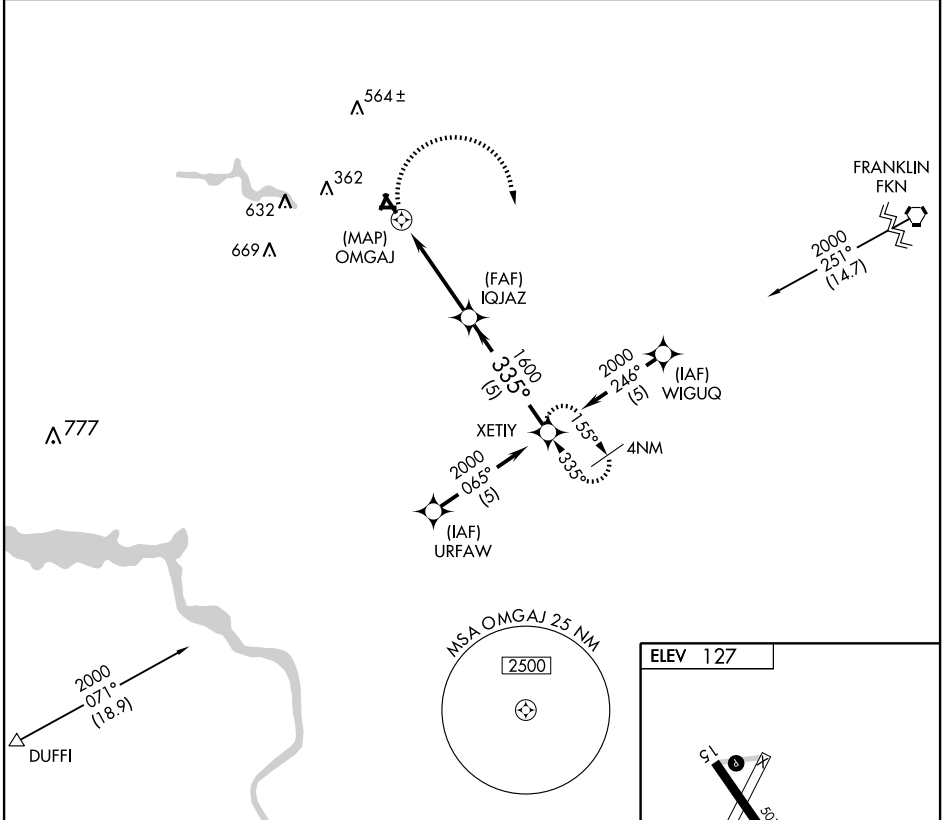
EMPORIA-GREENSVILLE RGNL (EMV)

APP CRS <b>335°</b>	Rwy Idg <b>5010</b>
	TDZE <b>121</b>
	Apt Elev <b>127</b>

**GPS or RNP-0.3 required.**  
**DME/DME RNP-0.3 NA.**

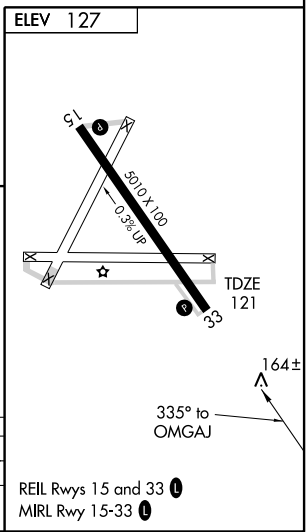
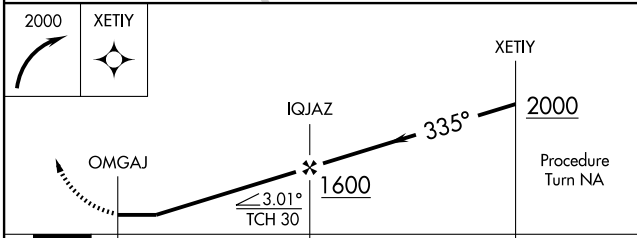
**MISSED APPROACH:** Climbing right turn to 2000 direct XETIY WP and hold.

<b>AWOS-3</b> <b>124.175</b>	<b>WASHINGTON CENTER</b> <b>132.025 269.4</b>	<b>UNICOM</b> <b>123.0 (CTAF) 0</b>
---------------------------------	--	--



NE-3, 19 NOV 2009 to 17 DEC 2009

NE-3, 19 NOV 2009 to 17 DEC 2009



CATEGORY	A	B	C	D
LNNAV MDA	420-1	299 (300-1)		NA
CIRCLING	560-1 433 (500-1)	580-1 453 (500-1)		NA

REIL Rwy 15 and 33 0  
 MIRL Rwy 15-33 0