

EMPORIA, VIRGINIA

AL-5334 (FAA)

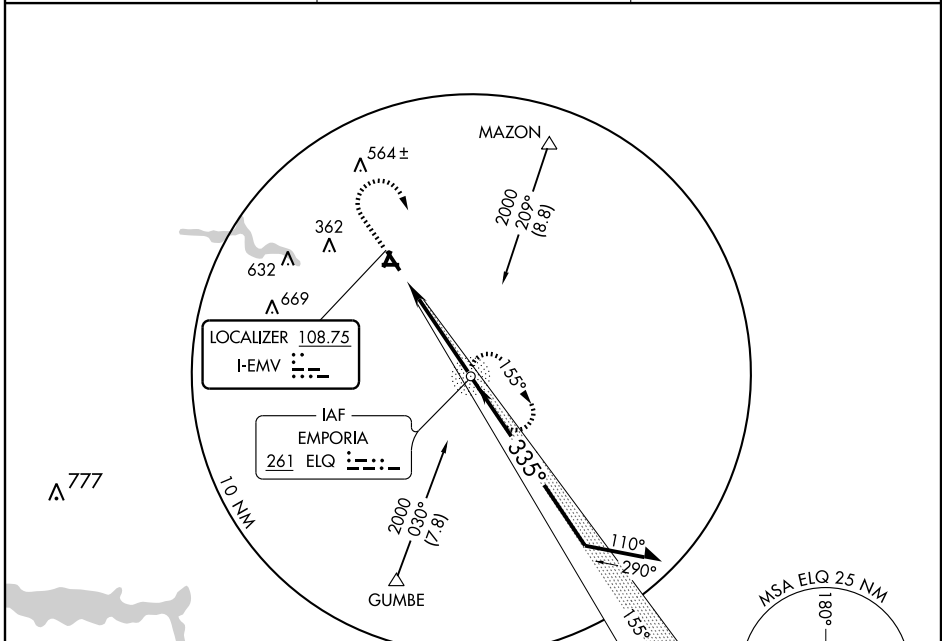
LOC RWY 33

EMPORIA-GREENSVILLE RGNL (EMV)

LOC I-EMV 108.75	APP CRS 335°	Rwy Idg TDZE Apt Elev	5010 121 127
----------------------------	------------------------	-----------------------------	---

MISSED APPROACH: Climb to 600, then climbing right turn to 2000 direct ELQ NDB and hold.

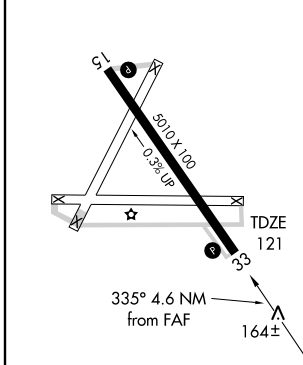
AWOS-3 124.175	WASHINGTON CENTER 132.025 269.4	UNICOM 123.0 (CTAF) 0
--------------------------	---	---------------------------------



NE-3, 19 NOV 2009 to 17 DEC 2009

NE-3, 19 NOV 2009 to 17 DEC 2009

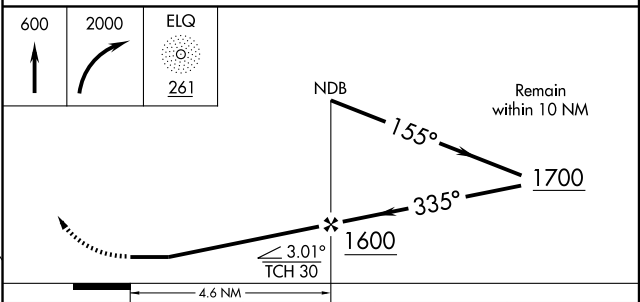
ELEV 127



REIL Rwy 15 and 33
MIRL Rwy 15-33

FAF to MAP 4.6 NM					
Knots	60	90	120	150	180
Min:Sec	4:36	3:04	2:18	1:50	1:32

ADF REQUIRED



CATEGORY	A	B	C	D
S-LOC 33	420-1	299 (300-1)		NA
CIRCLING	560-1 433 (500-1)	580-1 453 (500-1)		NA

EMPORIA, VIRGINIA
Orig-A 09183

36°41'N - 77°29'W

EMPORIA-GREENSVILLE RGNL (EMV)
LOC RWY 33