

# RNAV (GPS) RWY 35

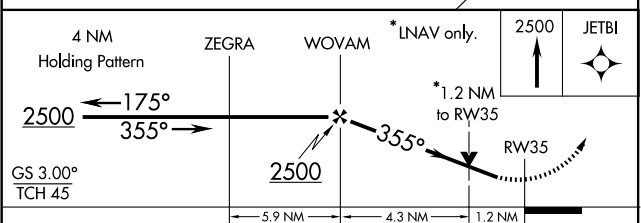
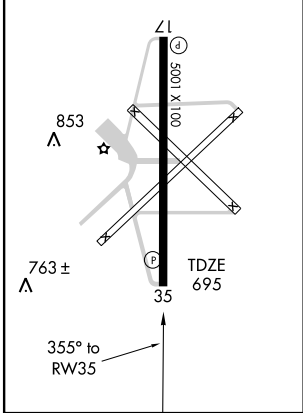
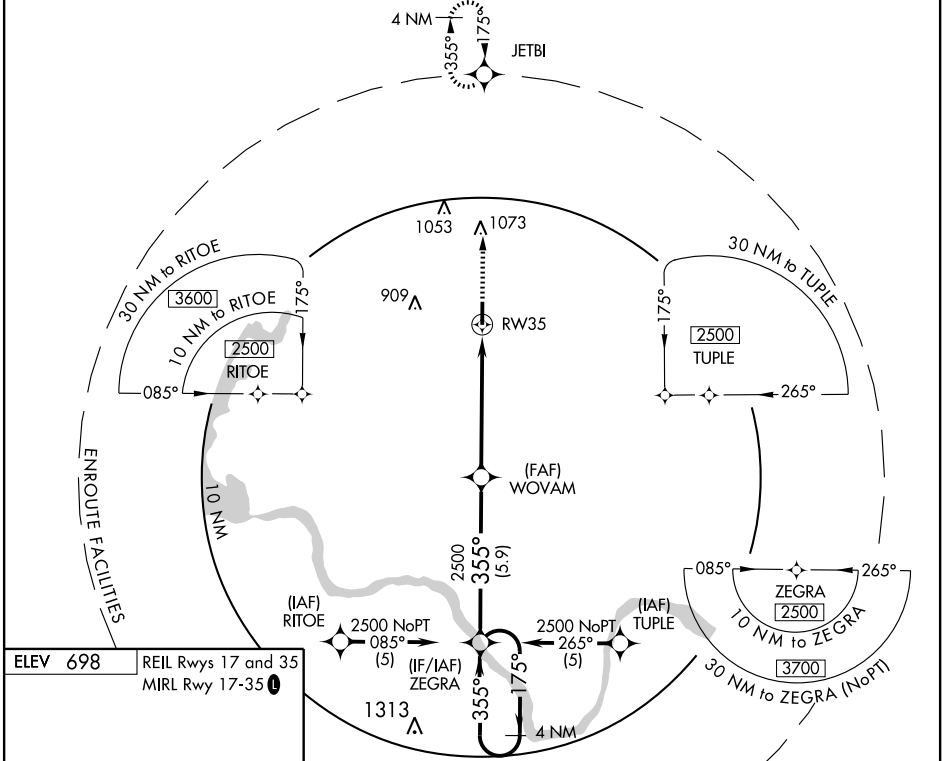
DURANT/ EAKER FIELD (DUA)

APP CRS <b>355°</b>	Rwy Idg <b>5001</b>
	TDZE <b>695</b>
	Apt Elev <b>698</b>

**NA** If local altimeter setting not received, use Ardmore Muni altimeter setting and increase all DAs/MDAs 100 feet and Cat C visibility ¼ mile. VDP and BARO-VNAV NA when using Ardmore Muni altimeter setting. BARO-VNAV NA below -16°C (+4°F). GPS or RNP-0.3 required. DME/DME RNP-0.3 NA.

MISSED APPROACH: Climb to 2500 direct JETBI WP and hold.

AWOS-3 <b>124.175</b>	FORT WORTH CENTER <b>124.75 377.1</b>	UNICOM <b>122.8 (CTAF) 0</b>
--------------------------	--	---------------------------------



CATEGORY	A	B	C	D
GLS PA DA	NA			
LNAV/VNAV DA	1020-1¼ 325 (400-1¼)			NA
LNAV MDA	1100-1 405 (500-1)		1100-1¼ 405 (500-1¼)	
CIRCLING	1220-1¼ 522 (600-1¼)		1220-1½ 522 (600-1½)	

SC-1, 19 NOV 2009 to 17 DEC 2009

SC-1, 19 NOV 2009 to 17 DEC 2009