

COOLIDGE, ARIZONA

AL-9213 (FAA)

VORTAC TFD 114.8 Chan 95	APP CRS 071°	Rwy Idg TDZE Apt Elev	5478 1548 1574
--	------------------------	-----------------------------	---

VOR/DME RWY 5

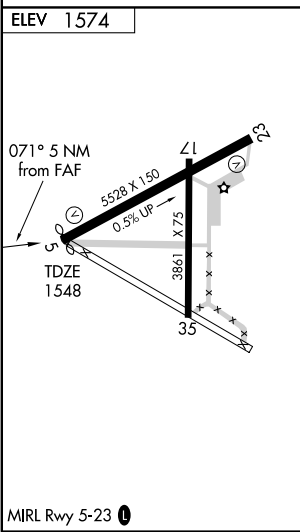
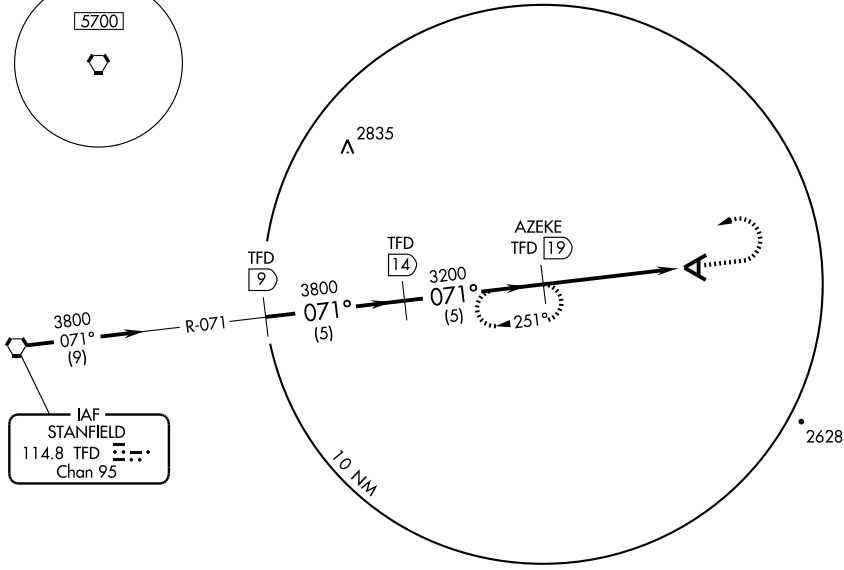
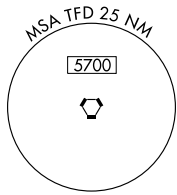
COOLIDGE MUNI (P08)

NA Use Casa Grande Muni altimeter setting.	MISSED APPROACH: Climb to 2300, then climbing left turn to 3500 via TFD VORTAC R-071 to AZEKE/19 DME and hold.
---	--

ALBUQUERQUE CENTER 125.4 269.3	UNICOM 123.075 (CTAF) 0
--	-----------------------------------

SW-4, 19 NOV 2009 to 17 DEC 2009

SW-4, 19 NOV 2009 to 17 DEC 2009



Procedure Turn NA	TFD 9	TFD 14	2300	3500	AZEKE TFD 19
	3800	3800	↑	↘	TFD R-071
	3800	3200			TFD 24
	5 NM	5 NM	5 NM		
CATEGORY	A	B	C	D	
S-5	2000-1 452 (500-1)	2000-1¼ 452 (500-1¼)	NA		
CIRCLING	2100-1 526 (600-1)	2100-1¼ 526 (600-1¼)	NA		

COOLIDGE, ARIZONA
Orig 08325

32°56'N-111°26'W

VOR/DME RWY 5

COOLIDGE MUNI (P08)